

FUJIFILM

I&I - Imaging & Information

Digital BETACAM

**DIGITAL BETACAM
VIDEOCASSETTE**

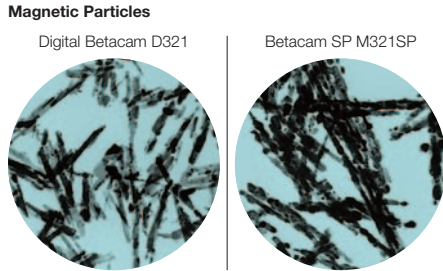
D321



The professional's choice for today's high-performance Digital Betacam systems

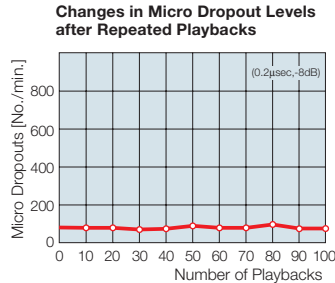
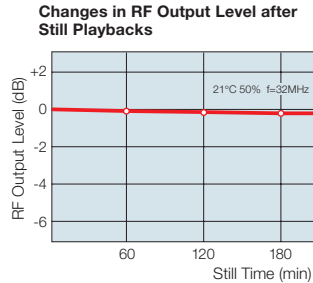
High Output and Low Error Rate for Superior Performance

To ensure high output and superior magnetic performance, D321 videocassettes feature newly developed ultra-fine, magnetic particles packed densely. The particles are approximately 20% smaller than those used in Fujifilm Betacam SP tapes, and offer +2dB higher output. New calendaring technology is used to give the magnetic layer an ultra-smooth finish, thereby improving the C/N ratio and assuring a low error rate during high-density digital recording. In addition, a newly developed lubricant improves head contact by stabilizing tape transport over guides, rollers and head drum.



Improved Durability & Transport Stability

To meet the demands of ENG/EFP specialists and post production professionals, Fujifilm D321 offers exceptional durability and transport stability. Durability is enhanced by a new binder that offers superior adhesion for ultrafine magnetic particles, while transport stability is boosted by a new backcoating material which keeps the friction coefficient low even during repeated passes. As a result, Fujifilm D321 easily withstands the rigorous demands of ENG/EFP field-work, and the still playback and high-speed shuttle operations of editing.

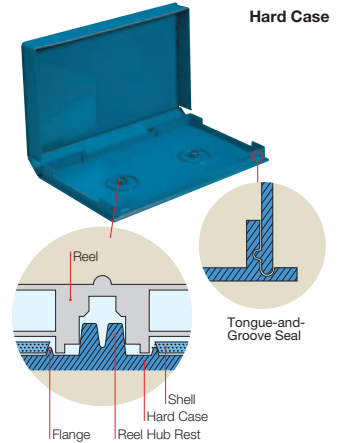


Superior Storage Characteristics

To prevent oxidation during long-term storage, Fujifilm D321's metal magnetic particles are covered with an ultra-thin protective layer. This ensures that the tape retains its superior magnetic characteristics during storage, while also ensuring that output remains high. In addition, exclusive Fujifilm production technology keeps tape shrinkage to an absolute minimum, thereby eliminating tracking errors that can be caused by tape deformation.

Innovative New Hard Case Design

New hard cases feature a number of design innovations that provide added protection during outdoor use and long-term storage. These include protruding reel hub rests and raised flanges that protect videocassettes from vibration and sudden impact, and a new tongue-and-groove case seal that shuts out dust.



Color-Coded Cassettes and Cases

Exclusive color-coded cassettes and hard cases allow you to differentiate the D321 cassettes from Betacam SP, HDCAM, Betacam SX and MPEG IMX cassettes at a glance, so cassettes are much less likely to be stored in the wrong case by mistake.



FUJIFILM D321 Digital Betacam Videocassette Technical Data

Magnetic Properties	
Coercivity (Hc)	131 kA/m
Retentivity (Br)	270 mT
Physical Properties	
Thickness: Magnetic Layer	3.0 µm
: Total	14.0 µm
Tape Width	12.65 mm
Yield Strength	25 N
Breaking Tensile Strength	40 N
Performance	
Video / Audio RF Output	0 dB*
Video / Audio C/N	0 dB*

FUJIFILM D321 Digital Betacam Videocassette Line-up

Cassette	Size	Tape Length	Recording Time	Dimensions		Weight (Including Case)
				Cassette shell	Case	
S	D 6	43 ± ₀ ⁺² m (141 ft.)	6 min.	156 x 96 x 25 mm	172 x 112 x 31 mm	250 g (0.55 lbs.)
	D 12	78 ± ₀ ⁺² m (256 ft.)	12 min.			260 g (0.57 lbs.)
	D 22	136 ± ₀ ⁺² m (446 ft.)	22 min.			280 g (0.62 lbs.)
	D 32	195 ± ₀ ⁺² m (640 ft.)	32 min.			290 g (0.64 lbs.)
	D 40	241 ± ₀ ⁺² m (791 ft.)	40 min.			305 g (0.67 lbs.)
L	D 34 L	206 ± ₀ ⁺² m (676 ft.)	34 min.	254 x 145 x 25 mm	271 x 162 x 33 mm	640 g (1.41 lbs.)
	D 64 L	382 ± ₀ ⁺² m (1,253 ft.)	64 min.			690 g (1.52 lbs.)
	D 94 L	557 ± ₀ ⁺² m (1,827 ft.)	94 min.			740 g (1.63 lbs.)
	D124L	732 ± ₀ ⁺² m (2,402 ft.)	124 min.			790 g (1.74 lbs.)

Note: Figures are typical values based on FUJIFILM's standard measurement procedures. The figures marked with * are comparisons with the FUJIFILM Digital Betacam reference tape. Specifications are subject to change without notice.



FUJI PHOTO FILM CO., LTD.

26-30, NISHIAZABU 2-CHOME, MINATO-KU, TOKYO 106-8620, JAPAN

Fuji Photo Film U.S.A., Inc.
Magnetic Markets Division 200 Summit Lake Drive, 2nd Floor Valhalla, New York 10595, U.S.A.
Fuji Photo Film Canada Inc.
600 Suffolk Court Mississauga, Ontario, L5R 4G4, Canada
Fuji Photo Film do Brasil Ltda.
Avenida Vereador Jose Diniz 3400, Campo Belo, Sao Paulo, CEP 04604-901, SP, Brasil
Fuji Magnetics G.m.b.H.
Fujistrasse 1, D-47533 Kleve, Germany
Fuji Photo Film (UK) Ltd.
Fuji Film House, 125 Finchley Road, Swiss Cottage, London NW3 6HY, U.K.
FUJIFILM Regional Services (Singapore) Pte Ltd.
10 New Industrial Road Singapore 536201